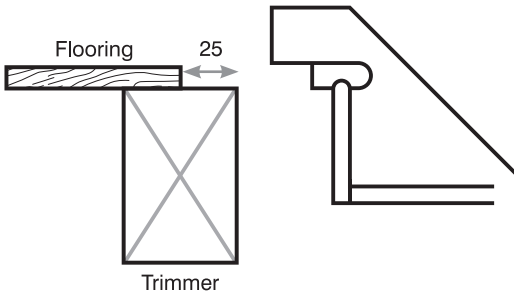
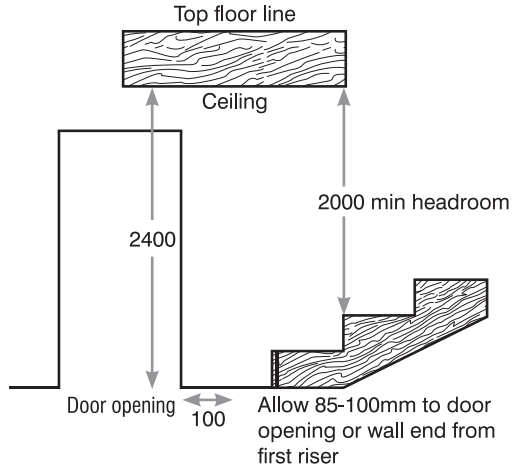


STAIR GUIDE

Headroom Guide

2400 stud 1x tread under floor above
 2700 stud 2x treads under floor above
 3000 stud 3x treads under floor above

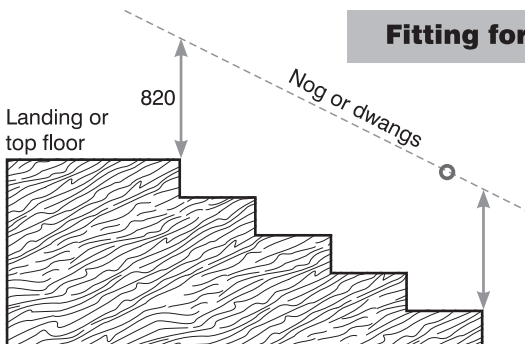


Fitting Stairs

Stairs must be screwed to every stud using 90 - 100mm tec or batten screws. All joints must be glued and screwed together.

Stairs meeting landing and floors, the flooring must be kept back 25mm from the face of the trimmer.

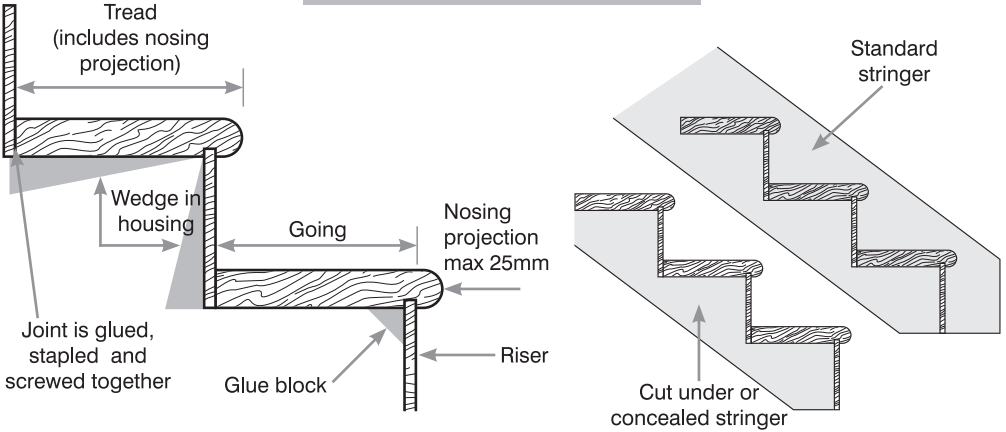
Fitting for handrail brackets on walls



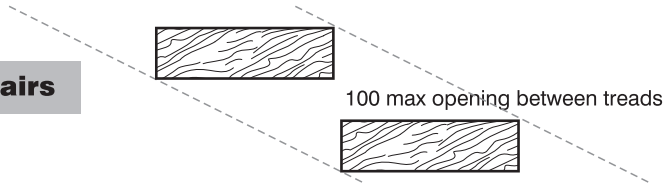
820 from front edge of nosing to centre of nog or dwangs for handrail fixing.

Overall handrail height must be no less than 900mm to top of handrail.

Stair Guide Terminology



Open Riser Stairs



Stair design limits

	Max pitch	Max riser	Min going	Max Nosing Projection
Service and minor private	47°	220	195	+ 25mm
Secondary private	41°	200	225	+ 25mm
Main private and common	37°	190	255	+ 25mm
Accessible disabled	32°	180	285	+ 25mm Raking Riser

Distance from opening doors

