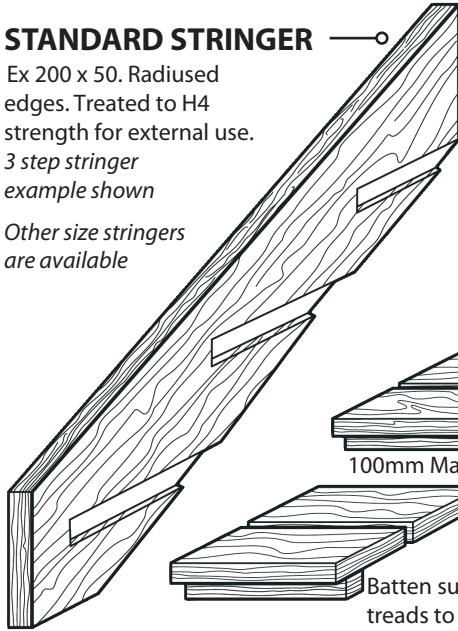


# STRINGER AND TREAD OPTIONS & INSTALLATION GUIDE

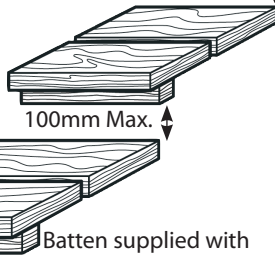
## STANDARD STRINGER

Ex 200 x 50. Radiused edges. Treated to H4 strength for external use.  
3 step stringer example shown  
Other size stringers are available



Other size stringers are available

Treads optional  
ex 150 x 50 Deck  
Tread profile.



100mm Max.

Batten supplied with treads to comply with NZBC D1 Access code.

## SIMPLICITY KITSET STAIRS

Enquiries for other heights and dimensions are welcome. They can be calculated as follows: Divide total height by .175 and subtract 1.  
eg.  $1.225 \div .175 - 1 = 6$  step

## HEIGHT GUIDE

Ground level to deck

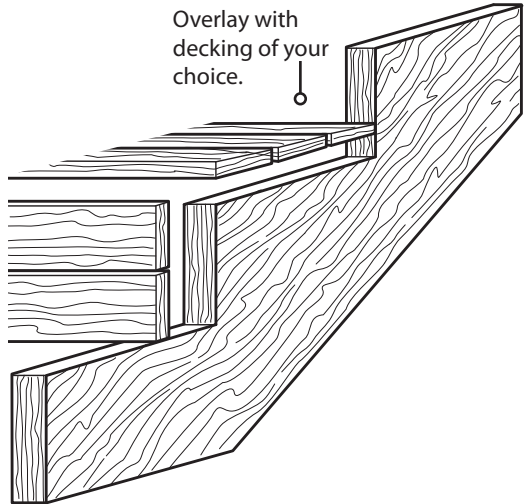
1 Step	0.350m
2 Step	0.525m
3 Step	0.700m
4 Step	0.875m
5 Step	1.050m
6 Step	1.225m
7 Step	1.400m
8 Step	1.575m
9 Step	1.750m
10 Step	1.925m
11 Step	2.100m
12 Step	2.275m
13 Step	2.450m
14 Step	2.625m
15 Step	2.800m

Horizontal distance  
= 280mm x number of treads

## CUT UNDER STRINGER

Ex 300 x 50. Radiused edges. Treated to H4 strength for external use.

Overlay with decking of your choice.



**TOP FLYTE**  
STAIRS & SAFETY

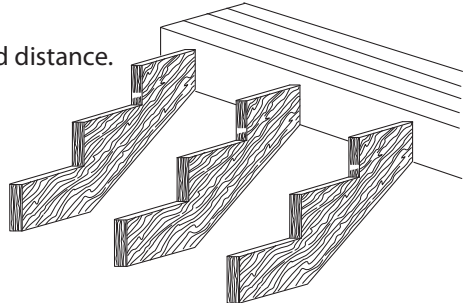
Web: [www.topflyte.co.nz](http://www.topflyte.co.nz) • E-mail: [sales@topflyte.co.nz](mailto:sales@topflyte.co.nz) • Freephone 0800 867359

**See reverse side for installation guide**

## CUT UNDER STRINGER ASSEMBLY

1. Fasten stringer to your deck at the desired distance.

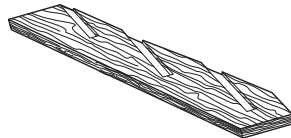
SPACING GUIDE	
<b>Decking size</b>	<b>Stringer spacing</b>
ex 150 x 50	up to 1200mm apart
ex 90 x 35	up to 600mm apart
ex 90 x 19	up to 450mm apart



2. Then cut decking or desired material to length and fasten onto your new stringers securely. This makes for a superb finish.
3. If you intend to leave the stairs as open face, please note that it is a building code requirement that a gap of no more than 100mm exists on the open face.

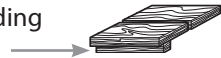
## STANDARD STRINGER ASSEMBLY

1. Cut to length. As an example for a 1000mm wide stair overall, you will need to cut the treads at 930mm long ( $1000\text{mm} - 70\text{mm} = 930\text{mm}$ ). This will give you your finished width of 1000mm.



2. Turn stringers upside down and slide the treads into the grooves.

3. Cut battens slightly shorter (we recommend 40mm shorter) than tread width and fasten to the underside of the front edge of the treads. We recommend that they be placed 20mm in from the front tread edge, providing 20mm clearance from front of tread and from stringers. The battens are a building code requirement.



4. Skew nail treads to stringer with galvanised nails, or just nail through from the outside of the stringer into the tread.
5. Finish nailing the stair together, then fix the completed stair to your deck.